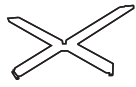


ASSEMBLY INSTRUCTION

1. x1PC



2. x1PC



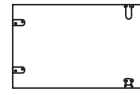
3. x1PC



4. x1PC



5. X2PCS



A. x4PCS



B. x5PCS



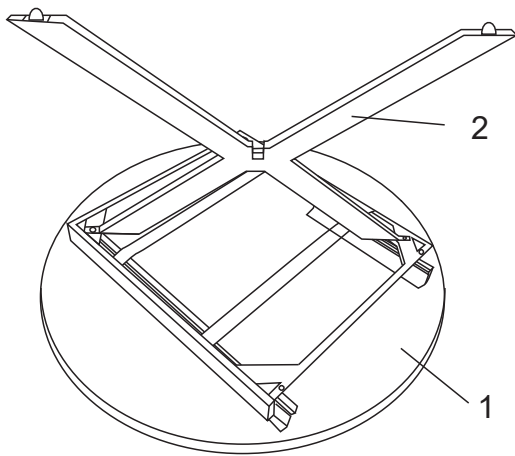
C. x1PC



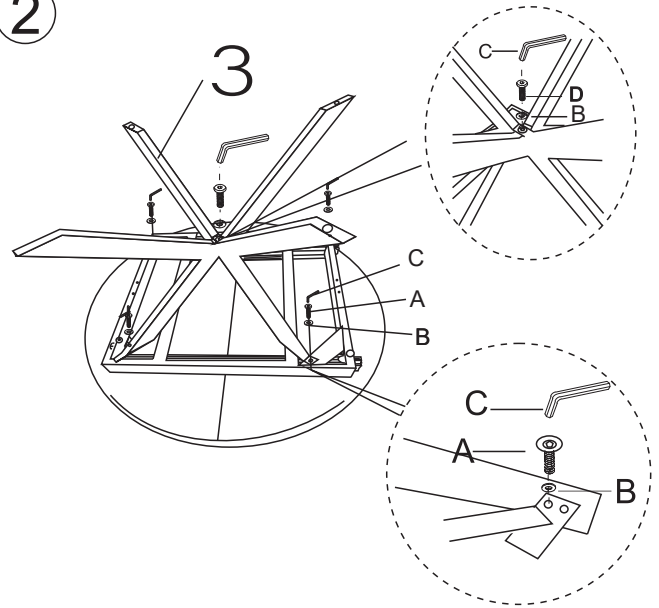
D. x1PC



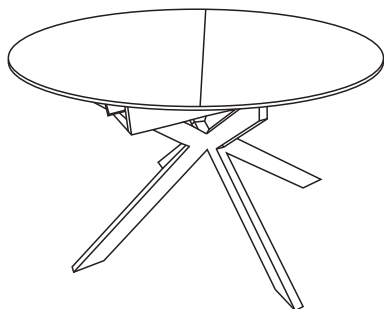
1



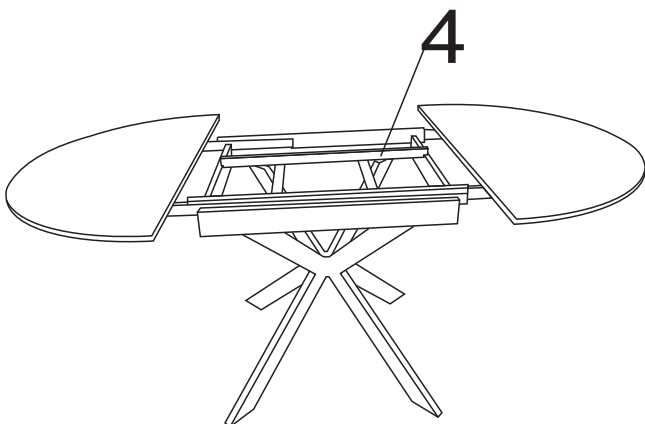
2



3



4



5

