

A × 8



B × 8



C × 16



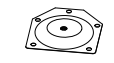
D × 12



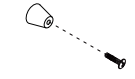
E × 8



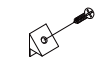
F × 20



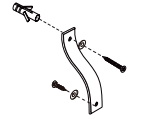
G × 4



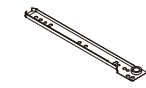
H × 1



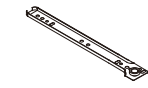
I × 6



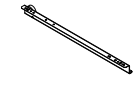
J × 2



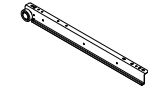
CL × 1



CR × 1

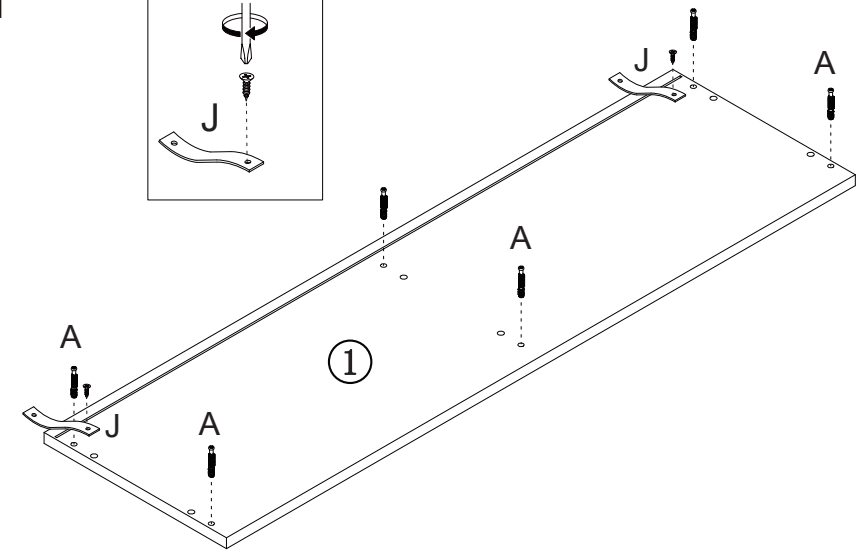
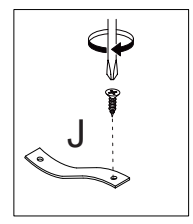


DL × 1

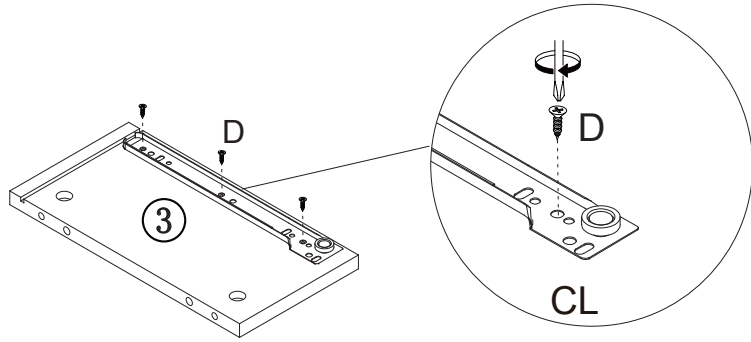


DR × 1

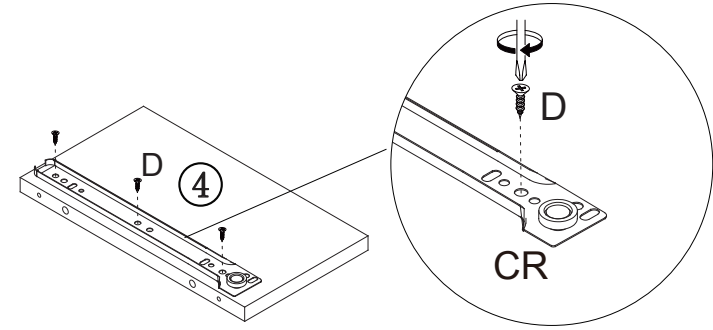
1



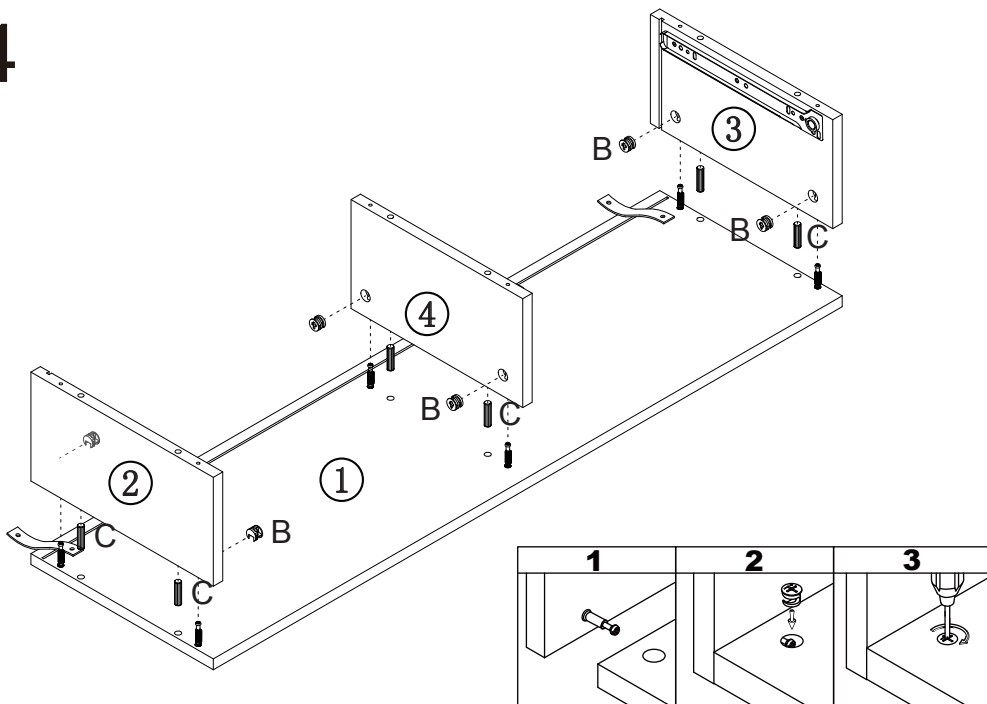
2



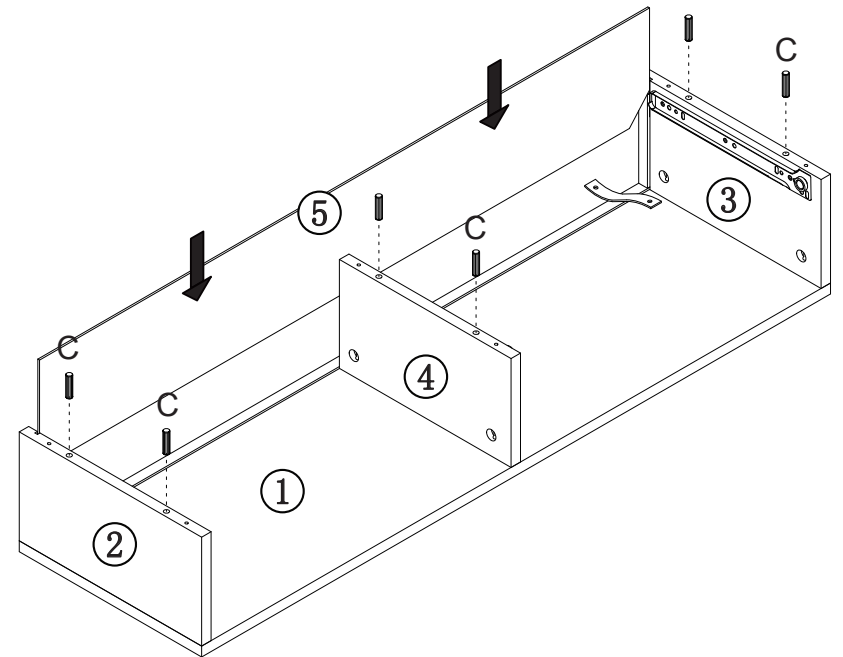
3



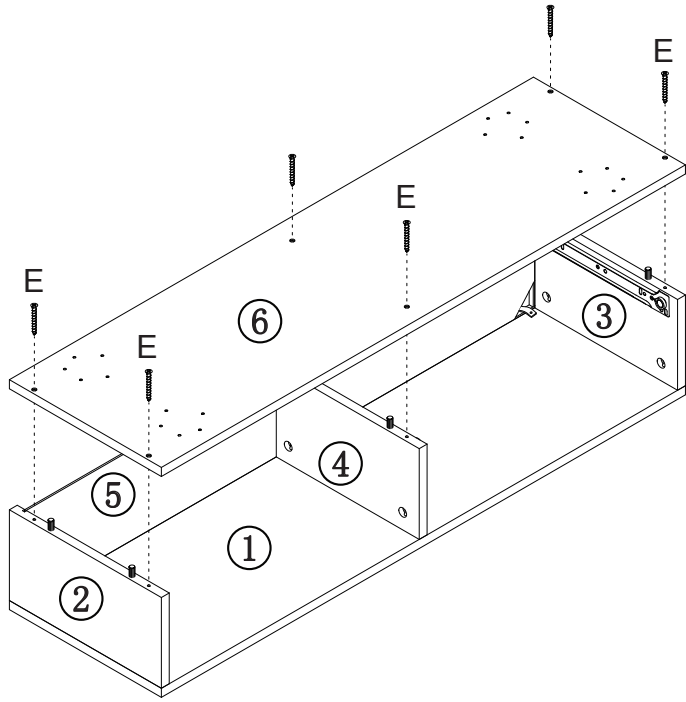
4



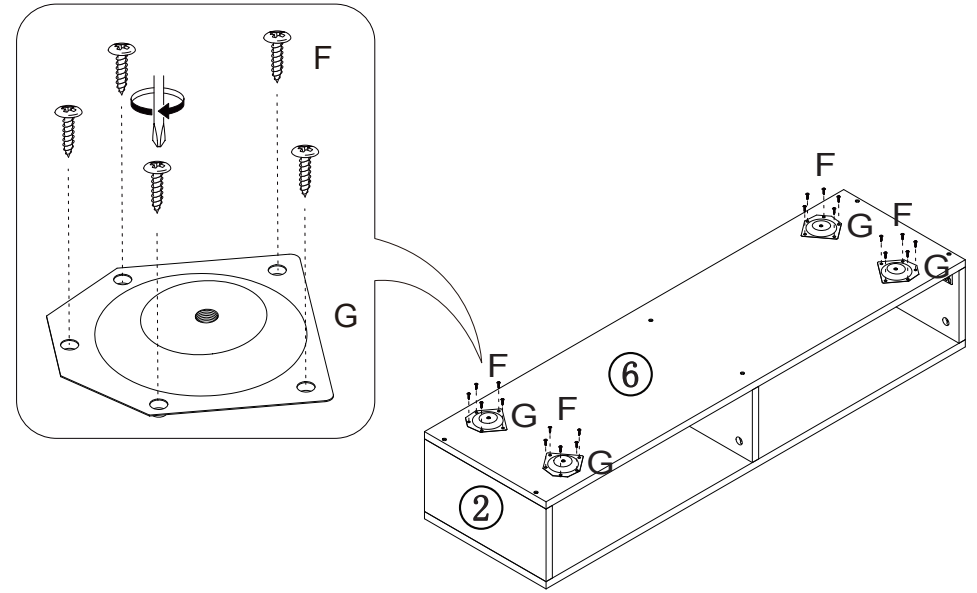
5



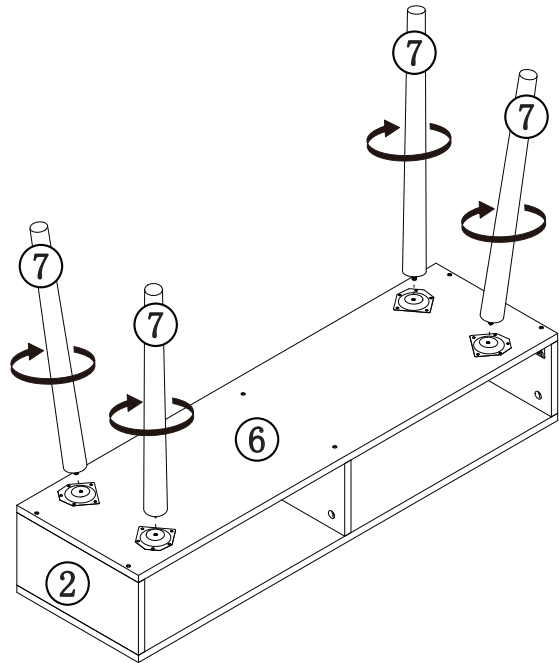
6



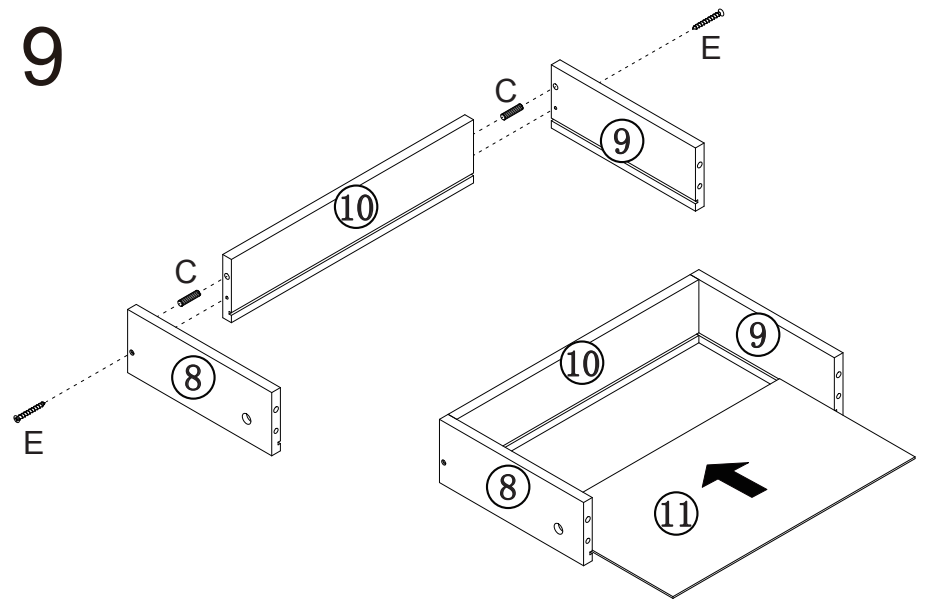
7



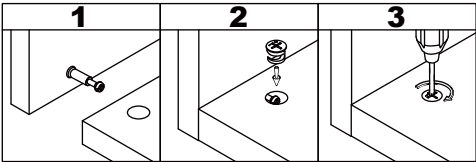
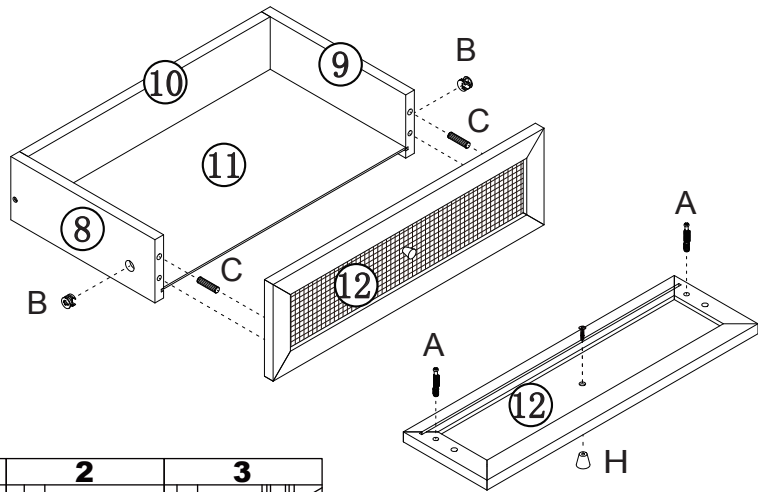
8



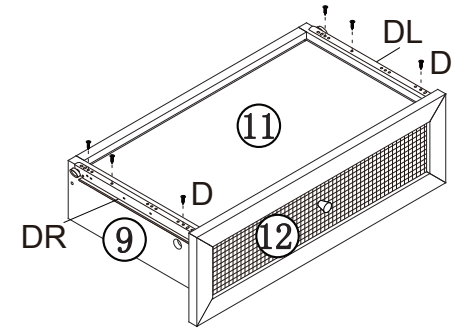
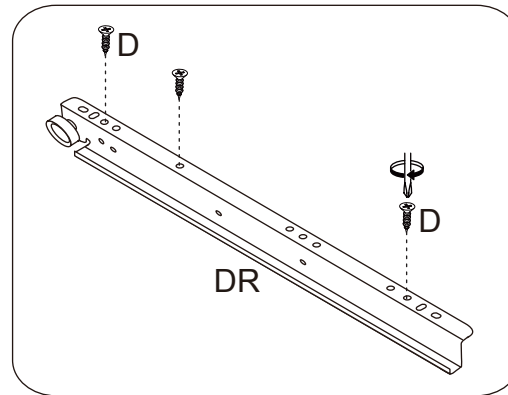
9



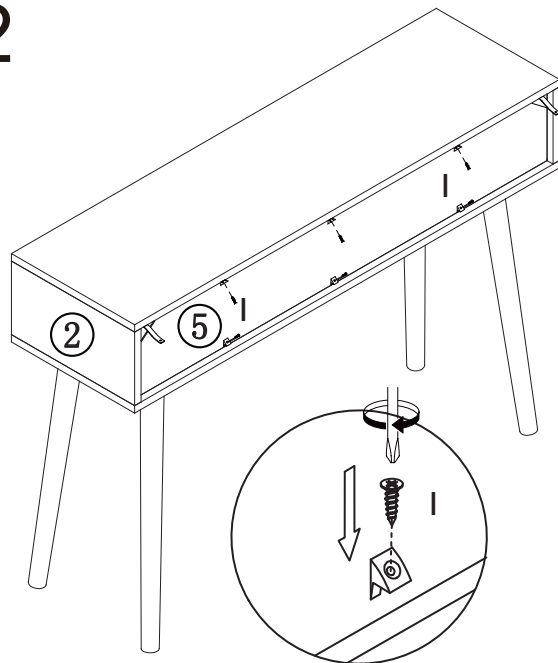
10



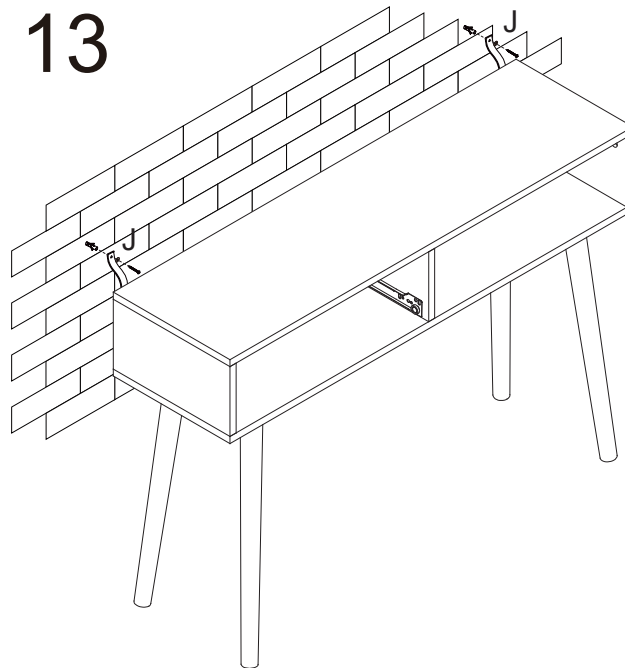
11



12



13



14

